



Ph: 1-866-823-4160
 Fax: 1-604-823-7160
 sales@lustreproducts.com

EXTRUDED FLAT 3"

INTERACTIVE E-FORM

extruded handrail cladding & part no.

Select a Standard Finish-Cladding

Stainless Steel (#4 Brushed)
AHE3000S

Stainless Steel (#8 Polished)
AHE3000SP

Yellow Brass plated steel(#4 Brushed)
AHE3000YB

Yellow Brass plated steel
(#8 Polished) AHE3000YBP

Bronze plated steel (#4 Brushed Red Brass)
AHE3000B

E-Form Instructions

To fill out form, click and type in highlighted form fields. Use Email button to send it.

If preferred you can print this form, fill out by hand and fax it to us.

Select a Spacer Type

In Cab Mounting (Removable) Exterior Cab Mounting

Handrail Worksheet

Qty: _____

Total # of Spacers required per rail _____

Overall Length: _____

Qty: _____

Total # of Spacers required per rail _____

Overall Length: _____

Qty: _____

Total # of Spacers required per rail _____

Overall Length: _____

Qty: _____

Total # of Spacers required per rail _____

Overall Length: _____

Qty: _____

Total # of Spacers required per rail _____

Overall Length: _____



Company: _____

Job Name: _____

Order #: _____ P.O.#: _____

Notes: _____

Contact Name: _____



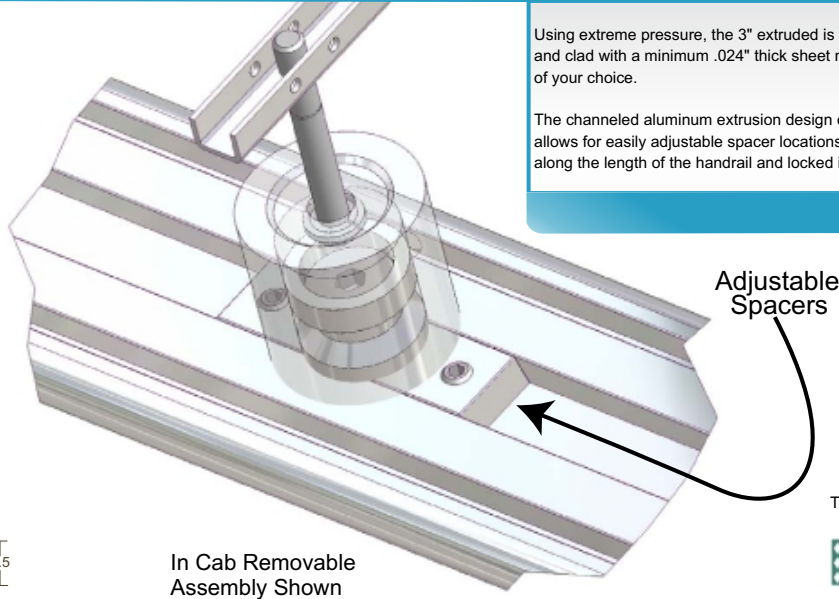
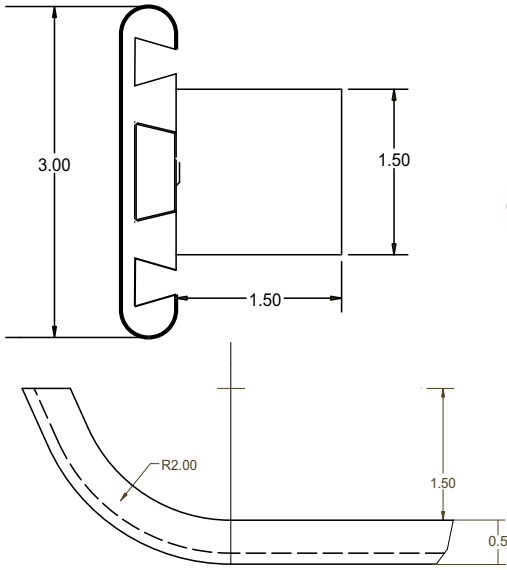
SHIP TO ADDRESS: _____

Phone (____) ____ - _____

Fax (____) ____ - _____



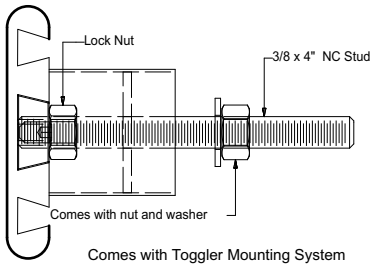
AHE 3000 series extruded handrail engineering data



Using extreme pressure, the 3" extruded is tightly roll formed and clad with a minimum .024" thick sheet metal in the finish of your choice.

The channeled aluminum extrusion design of these handrails allows for easily adjustable spacer locations that can be slid along the length of the handrail and locked into place.

exterior cab mounting spacer

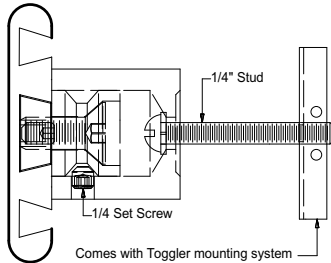


Comes with nut and washer
Comes with Toggler Mounting System

PULL-OUT VALUES for 3/8" STUD

Handrail Thread-lock fastener engineered test data
Pull-out values for removal of threaded fasteners from Lustre Products' handrails = 1509 lbs

in cab (removable) mounting spacer



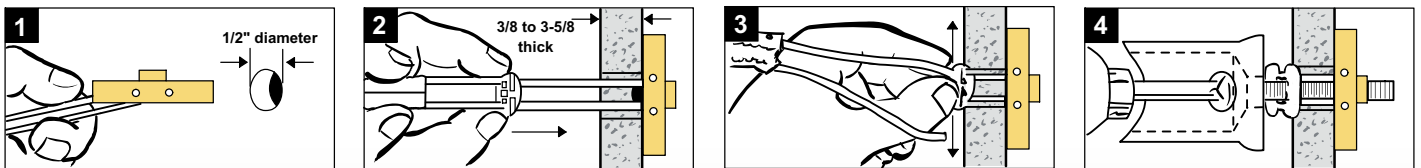
Comes with Toggler mounting system

PULL-OUT VALUES for 1/4"-20 BOLT

265 lbs (120 kg) ultimate tensile load in 1/2" drywall
306 lbs (162 kg) ultimate tensile load in 5/8" drywall
925 lbs (420 kg) ultimate tensile load in concrete block
1,283 lbs (583 kg) ultimate tensile load in steel plate

Tests by independent test laboratory show ultimate load. Industry safety standards recommend 1/4 of the values for actual applications. Age and conditions of substrate will cause load values to vary.

In Cab Removable Handrail Spacer Installation Instructions



Handrail Weight

SHIPPING WEIGHTS = Handrail physical weight calculations = 1.62 lbs per lineal foot (0.73 kg / 30.48 cm)
Spacer assembly = 0.58 lbs (0.26 kg) per spacer

ACTUAL WEIGHTS = Average assembled and packaged shipping weight = 2.48 lbs per lineal foot of handrail (1.13 kg / 30.48 cm)